

Flange Immersion Heater for Water / Oil

Overview

Flanges immersion heater consist of hairpin bent tubular elements welded or brazed into a flange and provided with wiring boxes for electrical connections. Flange heaters are installed by bolting to a matching flange welded to the tank wall or nozzle. A wide selection of flange sizes, Kilowatt ratings, voltages, terminal enclosures and sheath materials make these heaters ideal for all types of heating applications.

Applications

Flanges immersion heaters are one of the most widely used methods for heating gases and liquids (such as water, oil heat transfer fluid and corrosion solution). Designed for use in tanks and pressurized vessels, they are easy to install and maintain to provide heat for many process. The direct immersion method is energy efficient and easily monitored and controlled.

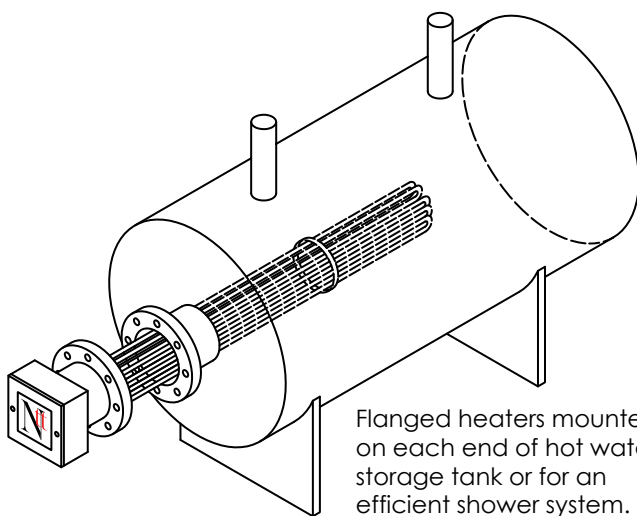
- Hot Water Storage Tanks
- Warming Equipment
- Preheating All grades of Oil
- Food Processing Equipment
- Cleaning and Rinsing Tanks
- Heat Transfer System
- Process Air Equipment
- Freeze Protection of any Fluid

Order Information

- Penetration Length
- Power Rating
- Heater Tube Material (SUS 304, 316L & INC 840)
- Heating method exp: Chemical, Acidic, Corrosion etc
- Flange size : AnS, JIS, DIN Standard
- Flange or Plate Material : SUS, Carbon Steel, Mild Steel



img. Flange Immersion Heater



Flanged heaters mounted on each end of hot water storage tank or for an efficient shower system.

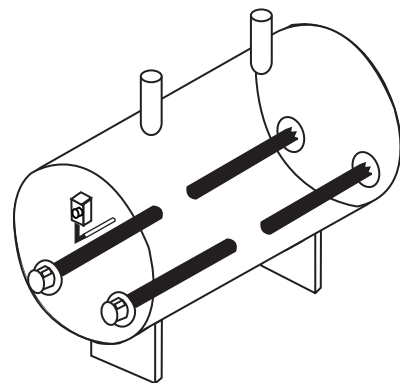


fig. Flange Immersion Heater

www.ntf.com.my

NTT Heating Sdn Bhd | No: 31 & 33 Jalan PJU 1A/14 Ara Damansara, 46050 Petaling Jaya, Selangor, Malaysia.

☎ : 03-7845 5069

☎ : 03-7845 5117

✉ : sales@ntf.com.my / sales@nttheating.com

NTT Heating Sdn Bhd 2017 © Copyright All Rights Reserved © 版權所有 翻印必究