

Air Duct Heater

Construction

- Huba Air Flow Switch
- Ranco Fixed Point Thermal Cut Out (Manual Cut Off 125° C)
(Auto Cut Off 90° C)
- Terminal Box - Epoxy finishing
- Finned Tubular Heater
- Heater Connection per set 3 nos, 6 nos, 9 nos, 12 nos

Application

- HVAC System (Heat, Ventilation and Air conditioning)
- Drying & Comfort Heating
- Heat Treating
- Semi-Con Clean Room
- Marine & Power Plants

Features

- Design to be easily inserted into an opening in the duct wall
- Terminal Box with Epoxy finish Act as Dielectric Insulation
- Chemical & Corrosion Resistant

Terminal Box fitted with the necessary elements, air flow switch & safe cut out device

Electrical Connection

Single or multiple stage as required (240/415V)

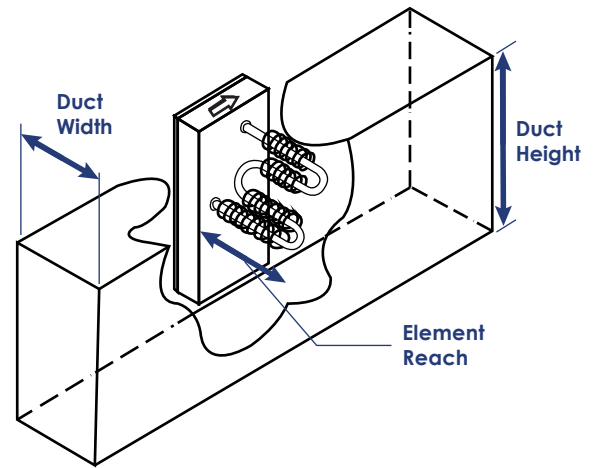


fig. Air Duct Heater



For circumstances where corrosion is potential, stainless steel element & Terminal Box are recommended.

img. Air Duct Heater

www.ntf.com.my

NTT Heating Sdn Bhd | No: 31 & 33 Jalan PJU 1A/14 Ara Damansara, 46050 Petaling Jaya, Selangor, Malaysia.

☎ : 03-7845 5069

☎ : 03-7845 5117

✉ : sales@ntf.com.my / sales@nttheating.com

NTT Heating Sdn Bhd 2017 © Copyright All Rights Reserved © 版權所有 翻印必究

NTT Custom Made Duct Heater

Overview

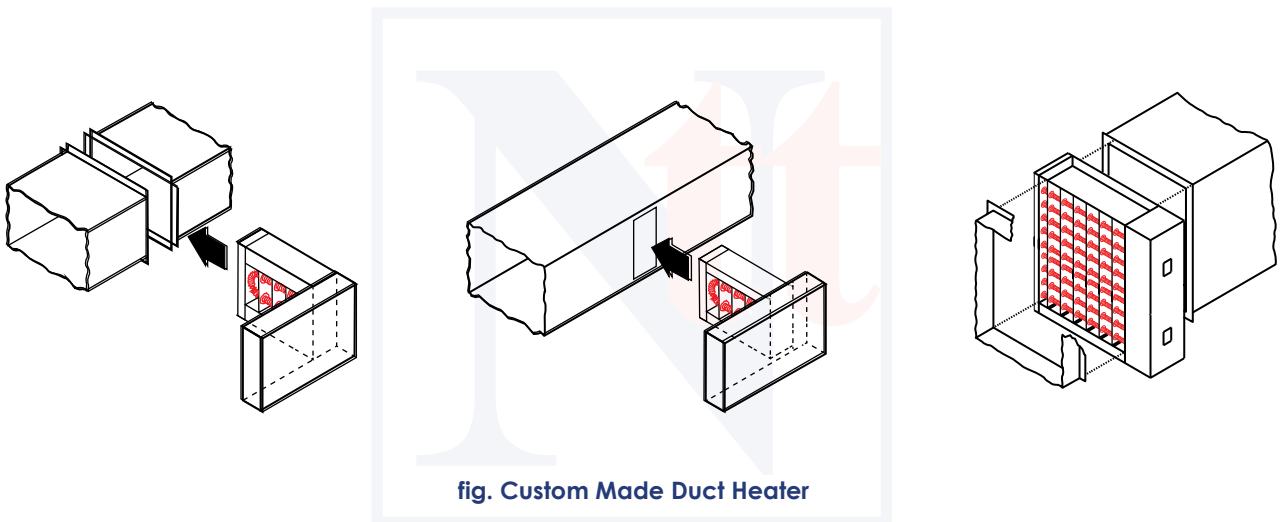
NTT supplies a range of special duct heater assemblies to fit installations where the standard insert type do not suit local conditions. These flanged assemblies are available with all the components listed to use for the standard range of insert heaters. The rigid construction is from galvanised steel and incorporates wide mounting flanges.

Features Application:

Designed to be easily inserted into an opening in the duct wall.

Electrical Connection:

240 volt, single phase or 415/240 volt three phase in single or multiple stages as required.



www.ntt.com.my

NTT Heating Sdn Bhd | No: 31 & 33 Jalan PJU 1A/14 Ara Damansara, 46050 Petaling Jaya, Selangor, Malaysia.

☎: 03-7845 5069

☎: 03-7845 5117

✉: sales@ntt.com.my / sales@nttheating.com

NTT Heating Sdn Bhd 2017 © Copyright All Rights Reserved © 版權所有 翻印必究